

TOP Series

KILI LED Led Post Top is energy efficient and Led Post Top Light can be used for Courtyard lighting, public parks lighting, street scapes lighting, parking areas lighting, hotel lighting, Post Top Light Fixtures are the crowning feature of any outdoor landscape or streets cape, Post Top Lights can match lights to present a whole area uniform designed lighting solution. KILI LED Post-top is an affordable LED lighting fixture that combines reliability and good light distribution. KILI Post Top Luminaries features a traditional decorative style to make it an excellent choice for new construction or retrofit applications. they provide a long LED life of 50,000 hours, 5 year warranty, and operates on electrical systems ranging from

KLTOPB



KLTOPF



FEATURES :

- ETL/cETL listed for TOPB, CE for TOPF
- DLC 4.4 certified for TOPB50
- 115-120 lumens per watt
- 100-277VAC universal voltage
- 0-10V dimming optional
- Photocell available

TOP Series

APPLICATIONS

- Area roadway
- Roadway lighting
- Parking areas lighting
- Airports lighting
- Streetscapes lighting
- Campuses lighting

CONSTRUCTION

- Die-cast aluminum housing
- Glass or polycarbonate optical lens
- High lumens with efficacy up to 115 lumens per watt
- Green, energy saving, long and reliable life of 50,000 hours
- No RF interference, No IR/UV radiation ,no mercury pollution
- Wide colour availability in degrees Kelvin(K),2700-6700K
- Designed for column/post mounting



Residential complexe



Public places

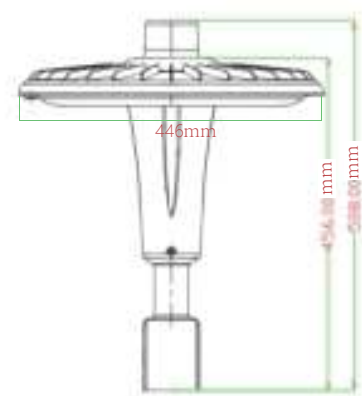
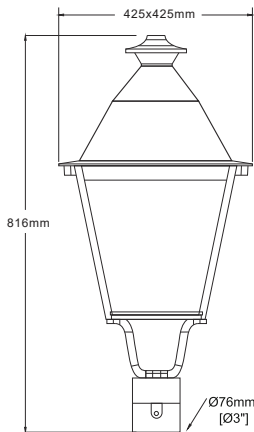


Pathways



Residential complexe

DIMENSION:(mm/in)



Models For example (KLTOPB50-50KFP)

Family	Type	Wattage	CCT	Version	Label
KLTOP : KILI-LED 100-277VAC Post Top Lighting	B: TYPE B F:TYPE F	50: 50W 100: 100W 150: 150W	30K: 3000K 40K: 4000K 50K: 5000K	P:platinum	0:KILI-LED Label 1:Customized Label

TOP Series

TECHNICAL SPECIFICATION:

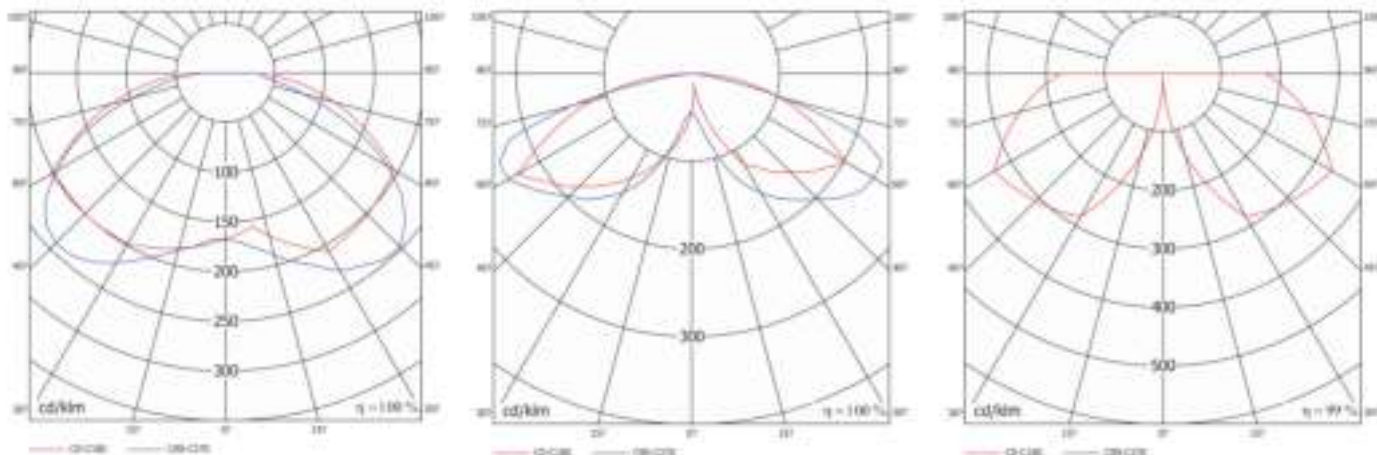
- Input Voltage : 100-277VAC
- Luminous Efficacy : up to 115-120lm/w
- Colour Rendering Index : > 70Ra
- Power Factor : >0.9
- Operating Temperature : -30°C up to 50°C (-22°F up to 122°F)
- Color Temperature : 3000K/4000K/5000K/6000K
- Ingress Protection : IP65
- Impact Rating : IK08
- Beam Angle : 120°/140°70 (Type V)/140°70 (Type 3)
- Housing : Die-cast aluminum
- Installation: Column post-top
- Environment : damp/wet locations
- Rated Life : 50,000 hours
- Warranty : 5 years

SPECIFICATIONS :

Produce Code	KLTOPB50-XXKCP	KLTOPF050	KLTOPF100	KLTOPF150
Power Consumption(W)	50W	50 W	100W	150W
Lumens Delivered (lm)	5000lm	5500lm	11500lm	17250lm
Efficacy (lm/W)	115lm/w	115lm/w	115lm/w	115lm/w
CRI	>70	>70	>70	>70
Input Voltage	100-277VAC	100-277VAC	100-277VAC	100-277VAC
Beam Angle	Type 3	120	120	60/90
Power Factor	>0.9	>0.9	>0.9	>0.9
L 70	More than 50000hours	More than 50000hours	More than 50000hours	More than 50000hours
Housing	Die-cast aluminum Glass Lens	Die-cast aluminum Glass + PC Lens	Die-cast aluminum Glass + PC Lens	Die-cast aluminum Glass + PC Lens
Installation	Column post-top	Column post-top	Column post-top	Column post-top
Operating Temperature	-30°C up to 50°C (-22°F up to 122°F)	-30°C up to 50°C (-22°F up to 122°F)	-30°C up to 50°C (-22°F up to 122°F)	-30°C up to 50°C (-22°F up to 122°F)
Certification	ETL/cETL, DLC	CE ROHS	CE ROHS	CE ROHS

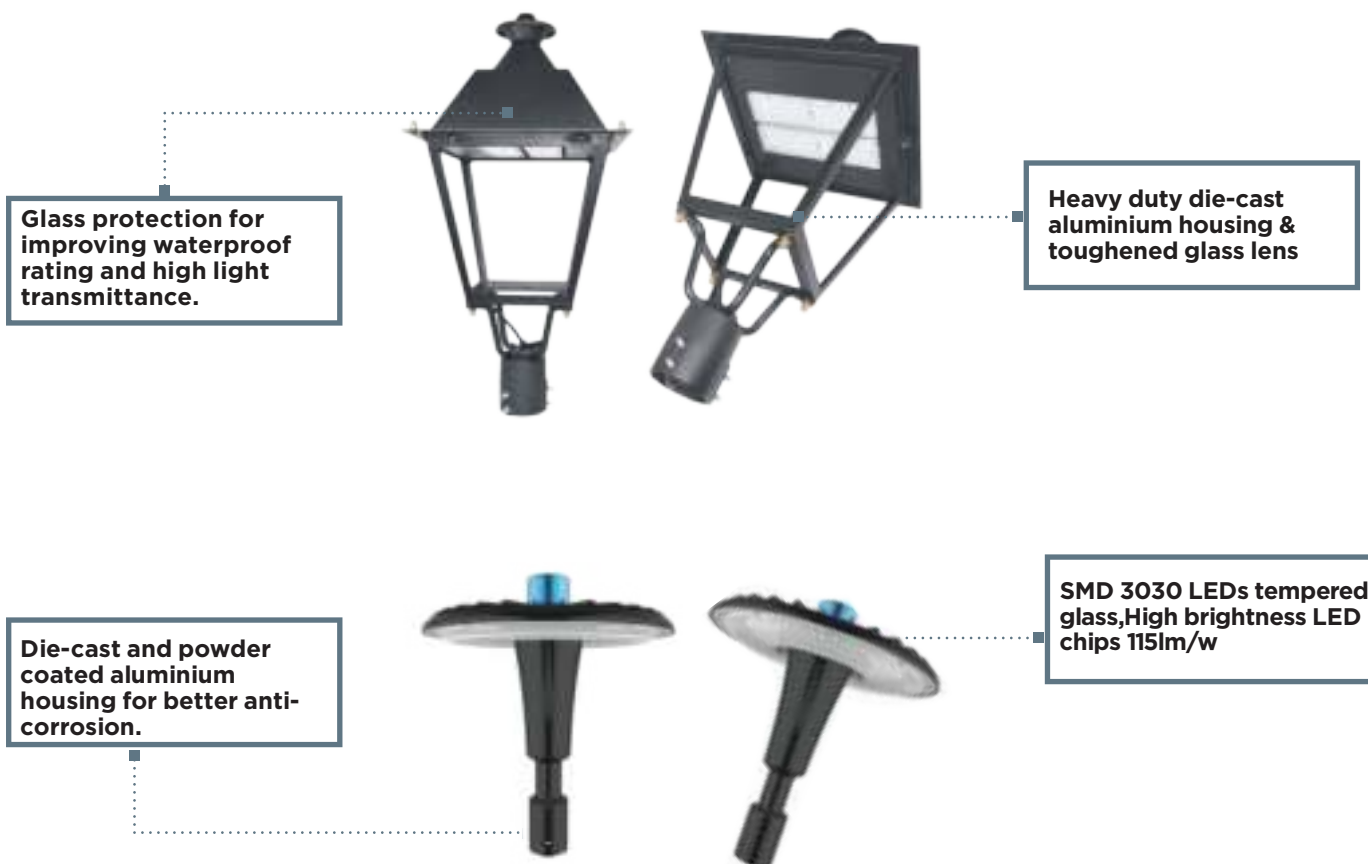
LUMINAIRE PHOTOMETRIC

Luminous Intensity Distribution Diagram:



TOP Series

Outdoor Decorative LED Post Top Lights IP65 Waterproof Post Top Street Light



PACKAGING

Model No.	Qty (pcs)	L*W*H (CM)	NW. (kgs)	G.W. (kgs)	Meas. (CBM)
			Per CTN	Per CTN	Per CTN
KLTOPB50	1	44*44*67CM	6.5	8.3	0.13
KLTOPF50	1	56.5*43.2*16.5 CM	6	6.9	0.04
KLTOPF100	1	56.5*43.2*16.5 CM	6.2	7.1	0.04
KLTOPF150	1	61*46*16.5 CM	7	8.8	0.046